



2010 8i bghUVni [g\ Ui VYb

NEW FLUSH-FITTING EXTRACTION UNITS

GB

TECHNICAL CHARACTERISTICS

- stainless steel grease filters;
- 1000 m³/h; motor
- optional IR remote control.

E

CARACTERÍSTICAS TÉCNICAS

- filtros antigrasa de acero inoxidable;
- motor de 1000 m³/h;
- telecomando IR opcional.

F

CARACTÉRISTIQUES TECHNIQUES

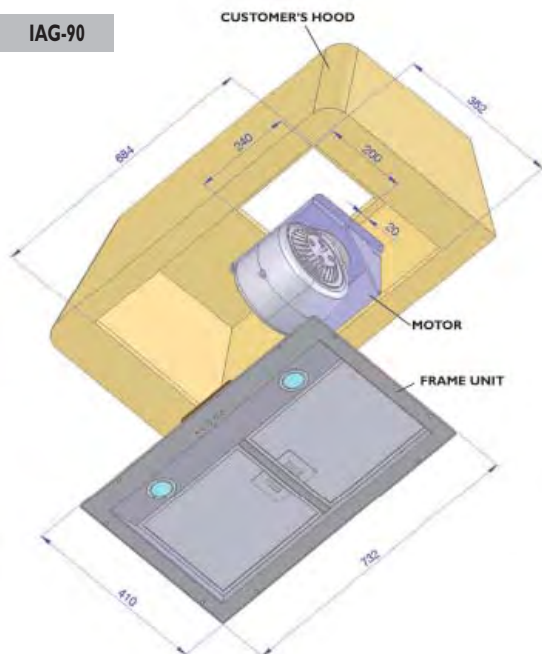
- Filtre anti-graisse en acier inox
- Moteur de 1 000 m³/h
- Télécommande IR en option

D

TECHNISCHE EIGENSCHAFTEN

- Fettfilter aus rostfreiem Stahl;
- Motorleistung 1000 m³/h;
- IR-Fernbedienung auf Wunsch

IAG-90

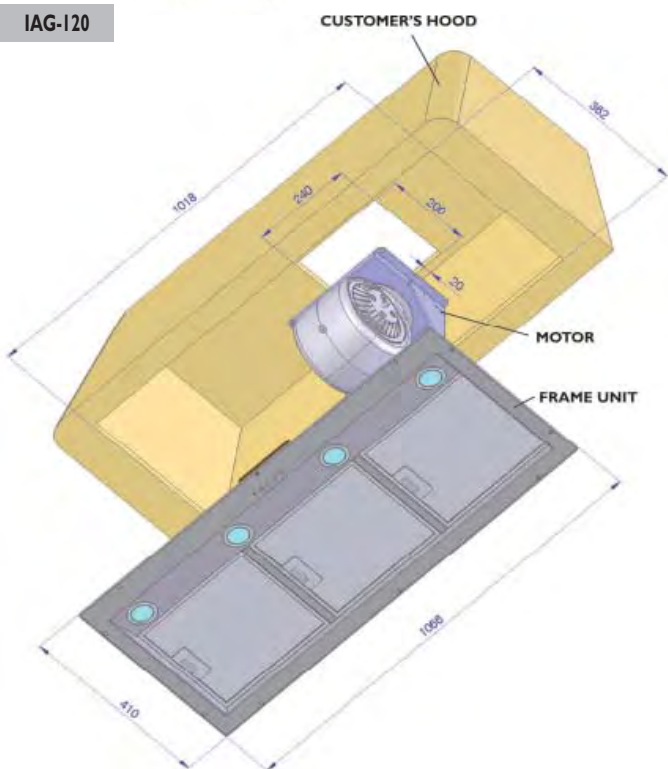


IAG90 FLUSH FITTING HOOD 90 CM (FRAME UNIT)
 IAG120 FLUSH FITTING HOOD 120 CM (FRAME UNIT)
 IAG150 FLUSH FITTING HOOD 150 CM (FRAME UNIT)
 A/407/04 COMPLETE EXTRACTION MOTOR FOR IAG HOODS
 A/301/00 IR REMOTE CONTROL

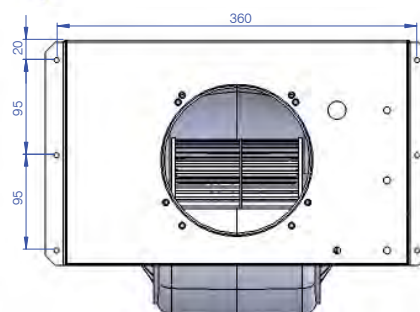
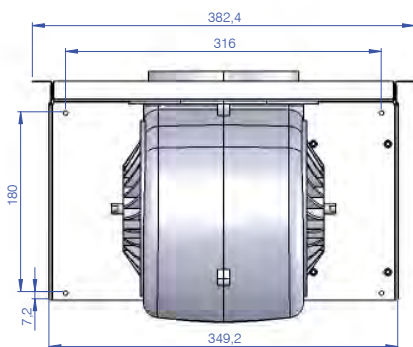
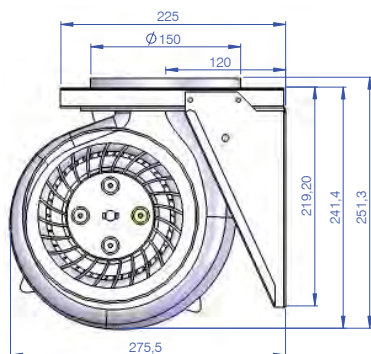
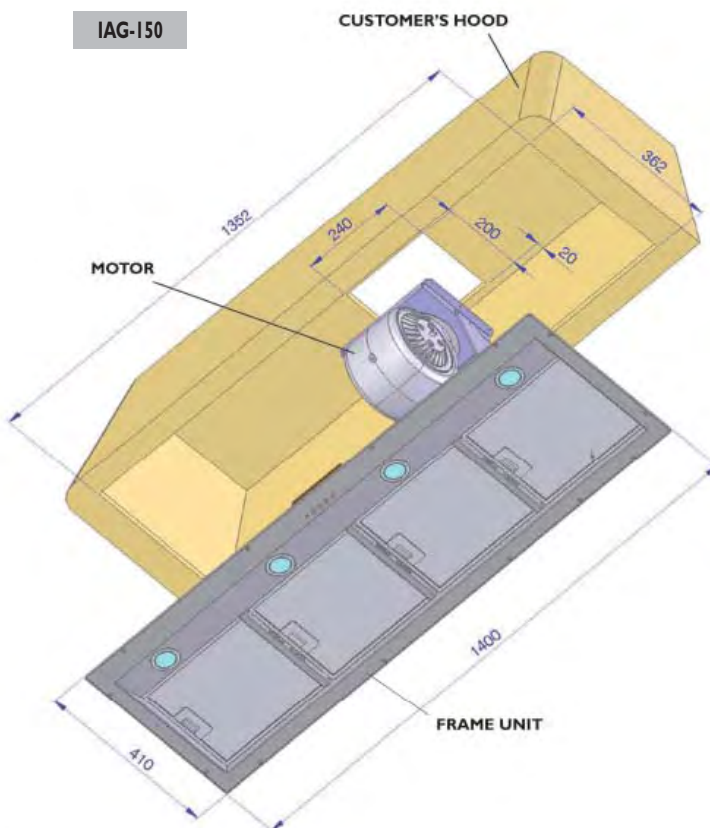
**TO BE ORDERED WITH TWO CODES:
 FRAME CODE + MOTOR CODE
 (+ OPTIONAL REMOTE CONTROL)**

Example:
 TO ORDER A COMPLETE 120 UNIT YOU MUST ORDER A 120 FRAME
 IAG120 AND A MOTOR A/407/04

IAG-120



IAG-150



«QUADRA» COOKERHOOD AGQ

GB

Hood with an innovative conception, professional appearance and performance which scenically furnishes the cooking area. The large tilted extraction surface and the labyrinth filters form an almost impenetrable barrier to grease and are easy to clean, as they are completely made of stainless steel. They are easily removed and can also be washed in the dishwasher.

- 4 speeds control (42-46-52-66 dB);
- available in exhaust or filter version;
- adjustable and delayed self-switching off;
- halogen spotlight with adjustable light intensity;
- warning light for filter maintenance;
- 360W - 220÷240V - 50/60 Hz;
- 1000 m³/h - 470 Pa.

E

Campana extractora innovadora, profesional en su aspecto y prestaciones, que decora de modo escenográfico la zona de trabajo. La amplia superficie aspirante inclinada y los filtros en laberinto forman una barrera casi impenetrable para las grasas. De fácil limpieza al ser completamente de acero inoxidable. Se desmontan con facilidad y se pueden lavar en el lavavajillas.

- mandos de 4 velocidades (42-46-52-66 dB);
- disponible en versión aspirante o filtrante;
- autoapagado regulable;
- luces halógenas con intensidad luminosa regulable;
- espia limpieza filtros;
- 360W - 220÷240V - 50/60 Hz;
- 1000 m³/h - 470 Pa.

F

Hotte innovatrice, professionnelle au niveau de l'aspect et des performances, pour meubler la zone cuisson de façon scénographique. La vaste surface d'aspiration inclinée et les filtres à labyrinthe, entièrement en acier inoxydable, forment une barrière presque infranchissable pour la graisse et sont faciles à nettoyer. Ils se démontent sans problèmes et peuvent être lavés au lave-vaisselle.

- commandes à 4 vitesses (42-46-52-66 dB);
- disponible en version aspirante ou filtrante;
- auto-extinction retardée et réglable;
- Éclairage halogène avec intensité lumineuse réglable;
- voyant lumineux pour le nettoyage des filtres;
- 360W - 220÷240V - 50/60 Hz;
- 1000 m³/h - 470 Pa.

D

Diese innovative Wandhaube bietet professionellen Komfort.

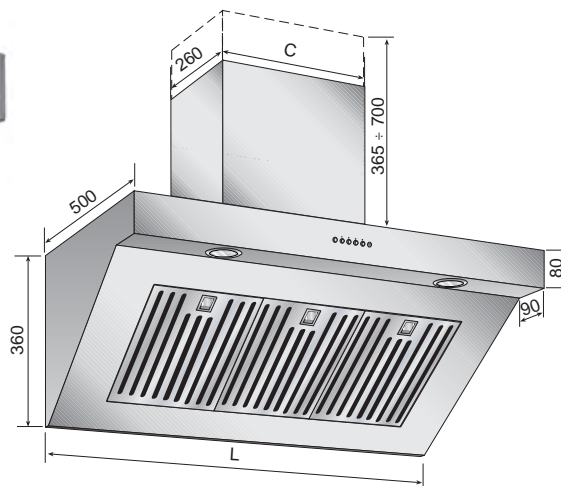
Die Edelstahlflächen und die Labyrinth-Filter lassen sich einfach reinigen.

Die Filter können leicht ausgebaut und in der Geschirrspülmaschine gereinigt werden.

- Regler mit 4 Geschwindigkeiten (42-46-52-66 dB);
- In Absaug- oder Filtrierversion lieferbar;
- Einstellbare, zeitlich verzögerte Selbstauschaltung;
- Halogen-Beleuchtung mit regelbarer Lichtstärke;
- Kontrolllampe für den Filterwechsel;
- 360W - 220÷240V - 50/60 Hz;
- 1000 m³/h - 470 Pa.



AGQ-90 - STAINLESS-STEEL



OPTIONAL

Remote control (code A/301/00)



Recirculating kits for range hoods that cannot be ducted to outside of house (code G/076/09)

C (mm)	L (mm)	AGQ series COOKERHOOD	BACKPANEL with ladles bracket
330	600	AGQ-60	AP4-60
330	700	AGQ-70	AP4-70
330	800	AGQ-80	AP4-80
330	900	AGQ-90	AP4-90
330	1000	AGQ-100	AP4-100
400	1100	AGQ-110	AP4-110
400	1200	AGQ-120	AP4-120
400	1500	AGQ-150	AP4-150

«PROFESSIONAL» COOKERHOOD AG



GB TECHNICAL CHARACTERISTICS

- Wall-mounted cookerhood;
- 4 speeds control (42-46-52-66 dB);
- available in exhaust or filter version;
- anti-grease filter in anodised aluminium;
- adjustable and delayed self-switching off;
- halogen spotlight with adjustable light intensity;
- warning light for filter maintenance;
- 360W - 220÷240V - 50/60 Hz;
- 1000 m³/h - 470 Pa.

E CARACTERÍSTICAS TÉCNICAS

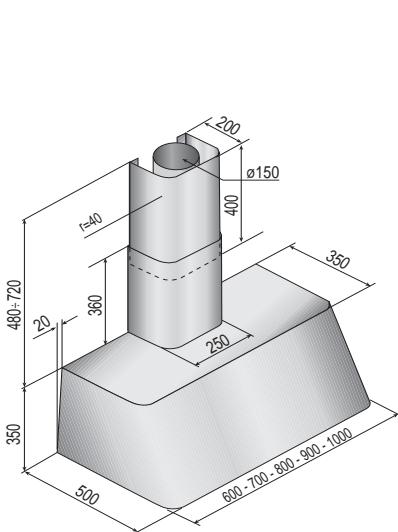
- Campana extractora de pared;
- mandos de 4 velocidades (42-46-52-66 dB);
- disponible en versión aspirante o filtrante;
- filtro antigreasa en aluminio anodizado;
- autoapagado regulable;
- luces halógenas con intensidad luminosa regulable;
- espía limpieza filtros;
- 360W - 220÷240V - 50/60 Hz;
- 1000 m³/h - 470 Pa.

F CARACTERISTIQUES TECHNIQUES

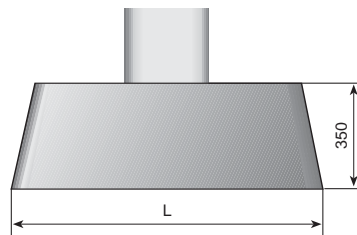
- Hotte murale;
- commandes à 4 vitesses (42-46-52-66 dB);
- disponible en version aspirante ou filtrante;
- filtre anti-graisse en aluminium anodisé;
- auto-extinction retardée réglable;
- petits phares halogènes avec intensité lumineuse réglable;
- voyant nettoyage filtres;
- 360W - 220÷240V - 50/60 Hz;
- 1000 m³/h - 470 Pa.

D TECHNISCHE EIGENSCHAFTEN

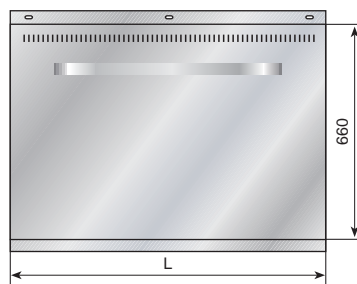
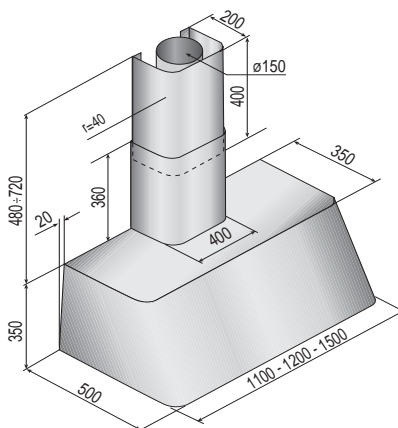
- Wandhaube;
- Regler mit 4 Geschwindigkeiten (42-46-52-66 dB);
- In Asaug- oder Filtrierversion lieferbar;
- Fettfilter aus eloxiertem Aluminium;
- Einstellbare, zeitlich verzögerte Selbstauschaltung;
- Halogen-Beleuchtung mit regelbarer Lichtstärke;
- Kontrolllampe für den Filterwechsel;
- 360W - 220÷240V - 50/60 Hz;
- 1000 m³/h - 470 Pa.



800 mm Stainless Steel EXTENSION for AG series Cookerhood



AG series COOKERHOOD



Stainless Steel BACKPANEL with ladles bracket

COLOUR RANGE



AG80 AG110 STAINLESS-STEEL only

OPTIONAL

Remote control (code A/301/00)



Recirculating kits for range hoods that cannot be ducted to outside of house (code G/076/09)

L (mm)	AG series COOKERHOOD	800 mm St.St. EXTENSION for AG series cookerhood	BACKPANEL with ladles bracket
600	AG-60	A/017/23/08	AP4-60
700	AG-70	A/017/23/08	AP4-70
800	AG-80	A/017/23/08	AP4-80
900	AG-90	A/017/23/08	AP4-90
1000	AG-100	A/017/23/08	AP4-100
1100	AG-110	A/017/23/08	AP4-110
1200	AG-120	A/017/20/08	AP4-120
1500	AG-150	A/017/20/08	AP4-150

MAJESTIC COOKERHOOD



GB TECHNICAL CHARACTERISTICS

- Wall-mounted cookerhood;
- 4 speeds control (42-46-52-66 dB);
- available in exhaust or filter version;
- anti-grease filter in anodised aluminium;
- 2 infrared spotlights, 175W each, for wall-mounted warmer (one infrared spotlight in mod.AM-70);
- adjustable and delayed self-switching off;
- halogen spotlight with adjustable light intensity;
- warning light for filter maintenance;
- optional (A/092/23): plate support grid under the hood for model AM4 panels;
- 1000 m³/h - 510 Pa; 220=240 VAC - 50/60 Hz.

E CARACTERÍSTICAS TÉCNICAS

- Campana extractora de pared;
- mandos de 4 velocidades (42-46-52-66 dB);
- disponible en versión aspirante o filtrante;
- filtro antigreasa en aluminio anodizado;
- 2 faros infrarrojos de 175W cada uno, para calentamiento de pared (un faro por mod.AM-70)
- autoapagado regulable;
- luces alogenas con intensidad luminosa regulable;
- espia limpieza filtros;
- opcional (A/092/23): rejilla para apoyar alimentos bajo campana para peneles modelo AM4;
- 1000 m³/h - 510 Pa; 220=240 VAC - 50/60 Hz.

F CARACTERISTIQUES TECHNIQUES

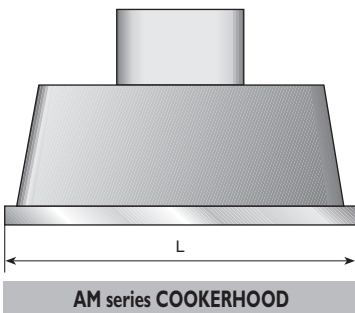
- Hotte murale;
- commandes à 4 vitesses (42-46-52-66 dB);
- disponible en version aspirante ou filtrante;
- filtre anti-graisse en aluminium anodisé;
- 2 phares à infrarouges de 175W chacun pour chauffe-plat mural (AM-70 1 phare à infrarouges);
- auto-extinction retardée réglable;
- petits phares halogènes avec intensité lumineuse réglable;
- voyant nettoyage filtres;
- en option (A/092/23): grille pose-plats sous hotte pour panneaux mod.AM4;
- 1000 m³/h - 510 Pa; 220=240 VAC - 50/60 Hz.

D TECHNISCHE EIGENSCHAFTEN

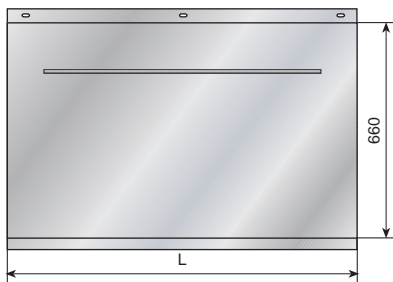
- Wandhaube;
- Regler mit 4 Geschwindigkeiten (42-46-52-66 dB);
- In Asbaug-oder Filtrierversion lieferbar;
- Fettfilter aus eloxiertem Aluminium;
- 2 Infrarot-Strahler mit jeweils 175W als Wand-Speisenwärmer (1 Infrarot-Strahler für AM-70);
- Einstellbare, zeitlich verzögerte Selbstausschaltung;
- Halogen-Beleuchtung mit regelbarer Lichtstärke;
- Kontrolllampe für den Filterwechsel;
- Optional (A/092/23): Tellergritter unter der Abzugshaube für Platten Mod.AM4;
- 1000 m³/h - 510 Pa; 220=240 VAC - 50/60 Hz.



800 mm Stainless Steel EXTENSION for AM series Cookerhood



AM series COOKERHOOD



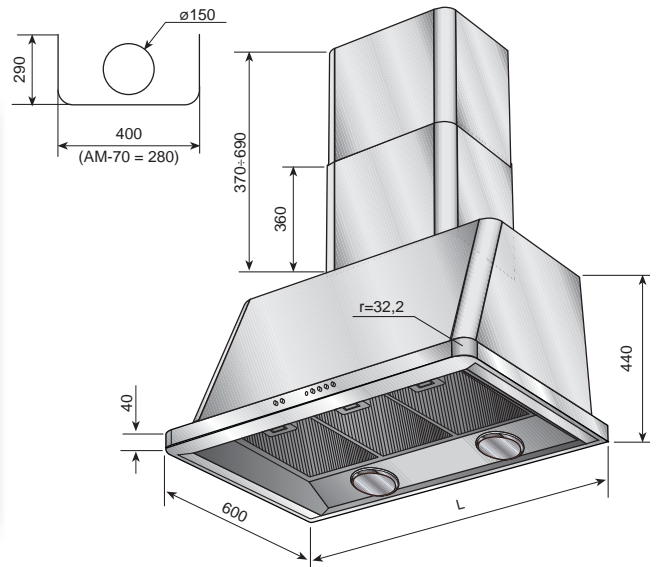
Stainless Steel BACKPANEL with ladles bracket

OPTIONAL

Remote control (code A/301/00)



Recirculating kits for range hoods that cannot be ducted to outside of house (code G/076/09)



L (mm)	AM series COOKERHOOD	Power Consumption	800 mm st.st. EXTENSION for AM series cookerhood	BACKPANEL with ladles bracket
700	AM-70	575 W	A/017/19/08	AM4-70
760	AM-76	750 W	A/017/20/08	AM4-76
911	AM-90	750 W	A/017/20/08	AM4-90
1000	AM-100	750 W	A/017/20/08	AM4-100
1216	AM-120	790 W	A/017/20/08	AM4-120
1511	AM-150	790 W	A/017/20/08	AM4-150



ILVE spa - Campodarsego (Padova) - ITALIA

General Catalogue 2010

THIS CATALOGUE CANCELS AND REPLACES THE PREVIOUS ONES

ILVE refuses all responsibility for possible errors in this booklet due to misprints or copying mistakes. **ILVE** reserves the right to make any modifications to the products that may be useful or necessary without compromising their main characteristics. If your dealer cannot provide for the information you need, apply to **ILVE**.

DISTRIBUTED BY:



**0699 120 90000 wien@ilve.at
ILVE Austria - www.ilve.at**